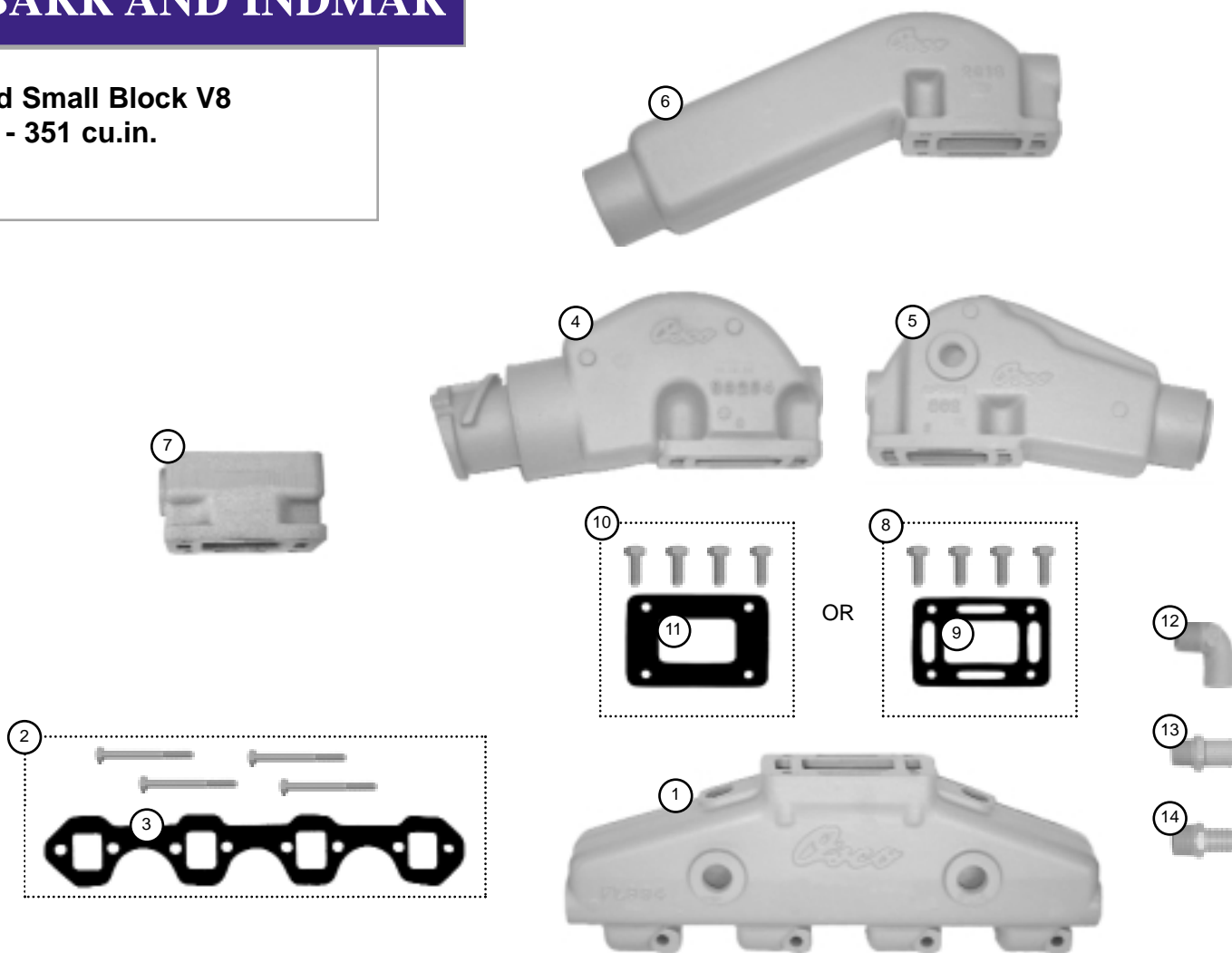


# BARR AND INDMAR

**Ford Small Block V8  
302 - 351 cu.in.**

Necessary pipe plugs are included.



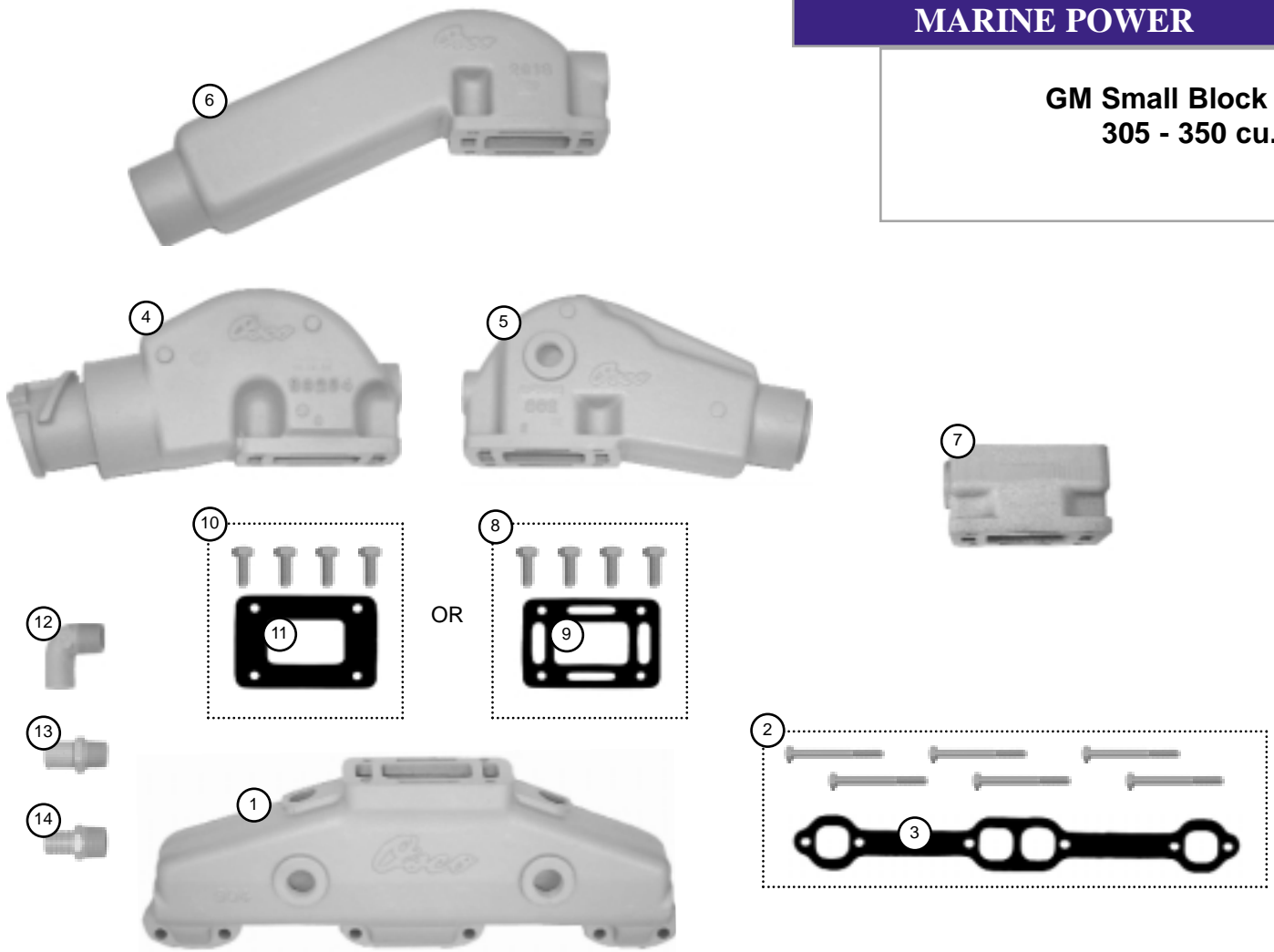
1. **FL994** **Manifold.** Fits 302 - 351 cu.in. Ford small block V8 engines. Replaces Barr # FM-1-83 and Indmar # 53-2008. Use mounting kit FL994-MK.
2. **FL994-MK** **Mounting Kit,** manifold. Fits FL994 manifold. Includes FL-GH gasket and mounting hardware.
3. **FL-GH** **Gasket,** manifold to cylinder head. Included in FL994-MK mounting kit.
4. **99204** **Riser,** 4" outlet, 10° down angle. Replaces Barr # 20-0100. Use mounting kit 992-MK or 992-MK-FW.
5. **992** **Riser,** 3" outlet, 10° down angle. Replaces Barr # 20-0082. Use mounting kit 992-MK or 992-MK-FW.
6. **2018** **Riser,** 3" outlet, 30° down angle. Replaces Barr # 20-0102 and Indmar #'s 53-2009 and 53-2018. Use mounting kit 992-MK or 992-MK-FW.
7. **994-S3** **Spacer,** 3". Fits FL994 manifold. Replaces Barr # 20-0097. Use mounting kit 992-MK or 992-MK-FW. *Riser #'s 2018, 992 and 99204 will require their own mounting kit.*
8. **992-MK** **Mounting Kit,** riser and spacer. Open. Fits riser #'s 992, 99204, and 2018 and 994-S3 spacer. Includes 992-G open gasket and mounting hardware.
9. **992-G** **Gasket,** riser. Open. Fits 992, 99204, and 2018 risers and 994-S3 spacer. Replaces Barr # 1-0107. Included in 992-MK mounting kit.
10. **992-MK-FW** **Mounting Kit,** riser. Blocked. Fits 992, 99204, and 2018 risers and 994-S3 spacer. Includes 992-G-FW blocked gasket and mounting hardware.
11. **992-G-FW** **Gasket,** riser. Blocked. Fits 992, 99204, and 2018 risers and 994-S3 spacer. Replaces Barr # 1-0105. Included in 992-MK-FW mounting kit.
12. **F68C9** **Water Fitting,** 90° elbow. 3/4" MPT x 1" hose barb.
13. **F68CS** **Water Fitting,** straight. 3/4" MPT x 1" hose barb.
14. **F66CS** **Water Fitting,** straight. 3/4" MPT x 3/4" hose barb.



**BARR, INDMAR AND  
MARINE POWER**

**GM Small Block V8  
305 - 350 cu.in.**

Necessary pipe plugs are included.



- 1. **994** **Manifold.** Fits 305 - 350 cu.in. GM Small Block V8 engines. Replaces Barr # CHV-1-83 and Marine Power # 0994-000. Use mounting kit 994-MK.
- 2. **994-MK** **Mounting Kit,** manifold. Fits 994 manifold. Includes CV-GH gasket and mounting hardware.
- 3. **CV-GH** **Gasket,** manifold to cylinder head. Included in 994-MK mounting kit.
- 4. **99204** **Riser,** 4" outlet, 10° down angle. Replaces Barr # 20-0100 and Marine Power # 0992-593. Use mounting kit 992-MK or 992-MK-FW.
- 5. **992** **Riser,** 3" outlet, 10° down angle. Replaces Barr # 20-0082 and Marine Power # 0992-000. Use mounting kit 992-MK or 992-MK-FW.
- 6. **2018** **Riser,** 3" outlet, 30° down angle. Replaces Barr # 20-0102 and Indmar #'s 53-2009 and 53-2018. Use mounting kit 992-MK or 992-MK-FW.
- 7. **994-S3** **Spacer,** 3". Fits 994 manifold. Replaces Barr # 20-0097. Use mounting kit 992-MK or 992-MK-FW. *Riser #'s 2018, 992 and 99204 will require their own mounting kit.*
- 8. **992-MK** **Mounting Kit,** riser and spacer. Open. Fits riser #'s 992, 99204, and 2018 and 994-S3 spacer. Includes 992-G open gasket and mounting hardware.
- 9. **992-G** **Gasket,** riser. Open. Fits 992, 99204, and 2018 risers and 994-S3 spacer. Replaces Barr # 1-0107. Included in 992-MK
- 10. **992-MK-FW** **Mounting Kit,** riser. Blocked. Fits 992, 99204, and 2018 risers and 994-S3 spacer. Includes 992-G-FW blocked gasket and mounting hardware.
- 11. **992-G-FW** **Gasket,** riser. Blocked. Fits 992, 99204, and 2018 risers and 994-S3 spacer. Replaces Barr # 1-0105. Included in 992-MK-FW.
- 12. **F68C9** **Water Fitting,** 90° elbow. 3/4" MPT x 1" hose barb.
- 13. **F68CS** **Water Fitting,** straight. 3/4" MPT x 1" hose barb.
- 14. **F66CS** **Water Fitting,** straight. 3/4" MPT x 3/4" hose barb.



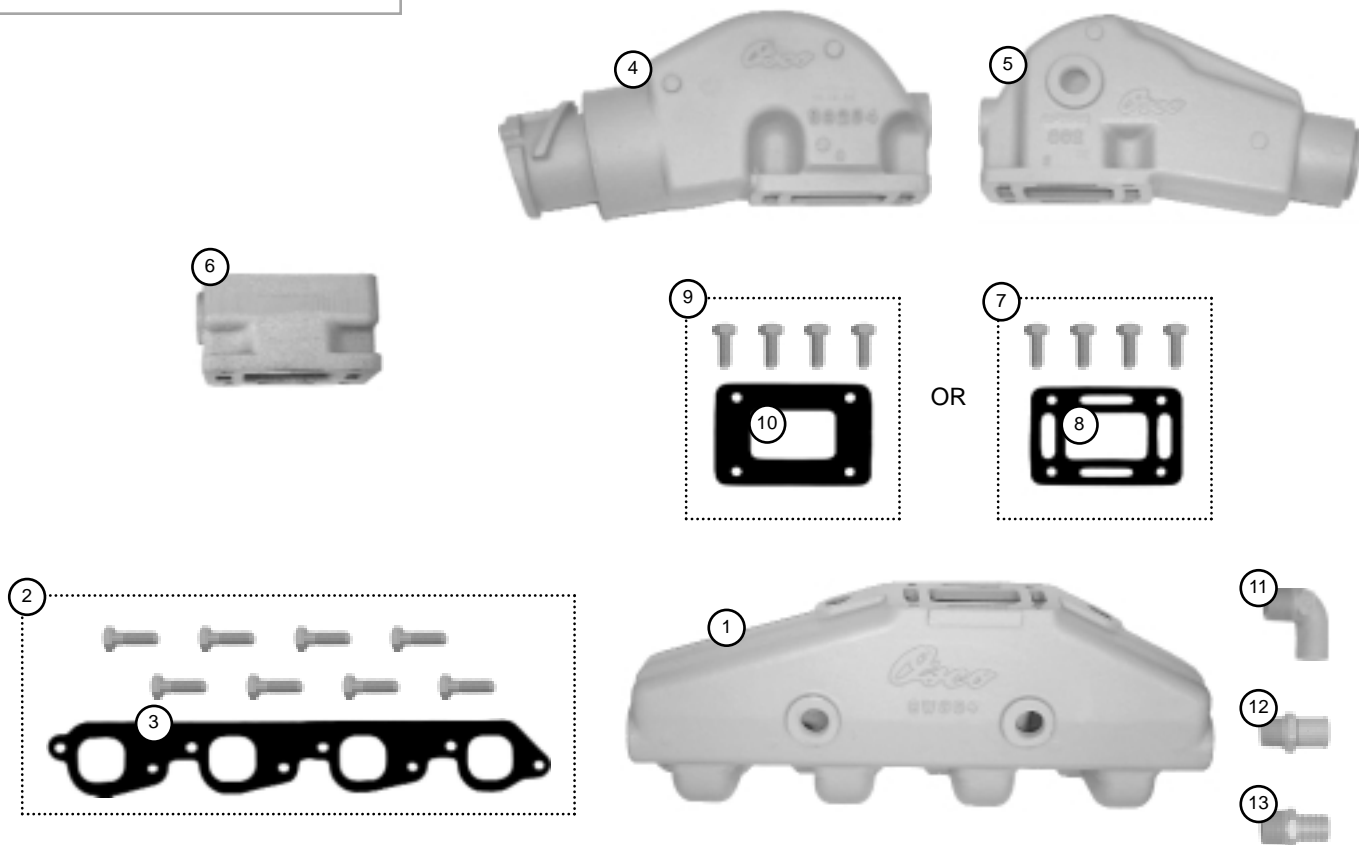
# BARR AND MARINE POWER

**GM Big Block V8  
454 cu.in.**

Necessary pipe plugs are included.

28

28



1. **CW994** **Manifold.** Fits 454 cu.in. GM big block V8 engines. Replaces Barr # CHVA-1-84 and Marine Power # 0991-110. Use mounting kit CW994-MK.
2. **CW994-MK** **Mounting Kit,** manifold. Includes CW-GH gasket and mounting hardware.
3. **CW-GH** **Gasket,** manifold to cylinder head. Fits 454 cu.in. GM engines. Included in CW994-MK.
4. **99204** **Riser,** 4" outlet, 10° down angle. Replaces Barr # 20-0100 and Marine Power # 0992-593. Use mounting kit 992-MK or 992-MK-FW.
5. **992** **Riser,** 3" outlet, 10° down angle. Replaces Barr # 20-0082 and Marine Power # 0992-000. Use mounting kit 992-MK or 992-MK-FW.
6. **994-S3** **Spacer,** 3". Fits CW994 manifold. Replaces Barr # 20-0097. Use mounting kit 992-MK or 992-MK-FW. *Riser #'s 992 and 99204 will require their own mounting kit.*
7. **992-MK** **Mounting Kit,** riser and spacer. Open. Fits riser #'s 992, 99204 and 994-S3 spacer. Includes 992-G open gasket and mounting hardware.
8. **992-G** **Gasket,** riser. Open. Fits 992, 99204 risers and 994-S3 spacer. Included in 992-MK. Replaces Barr # 1-0107.
9. **992-MK-FW** **Mounting Kit,** riser. Blocked. Fits 992, 99204 risers and 994-S3 spacer. Includes 992-G-FW blocked gasket and mounting hardware.
10. **992-G-FW** **Gasket,** riser. Blocked. Fits 992, 99204 risers and 994-S3 spacer. Included in 992-MK-FW. Replaces Barr # 1-0105.
11. **F68C9** **Water Fitting,** 90° elbow. 3/4" MPT x 1" hose barb.
12. **F68CS** **Water Fitting,** straight. 3/4" MPT x 1" hose barb.
13. **F66CS** **Water Fitting,** straight. 3/4" MPT x 3/4" hose barb.

