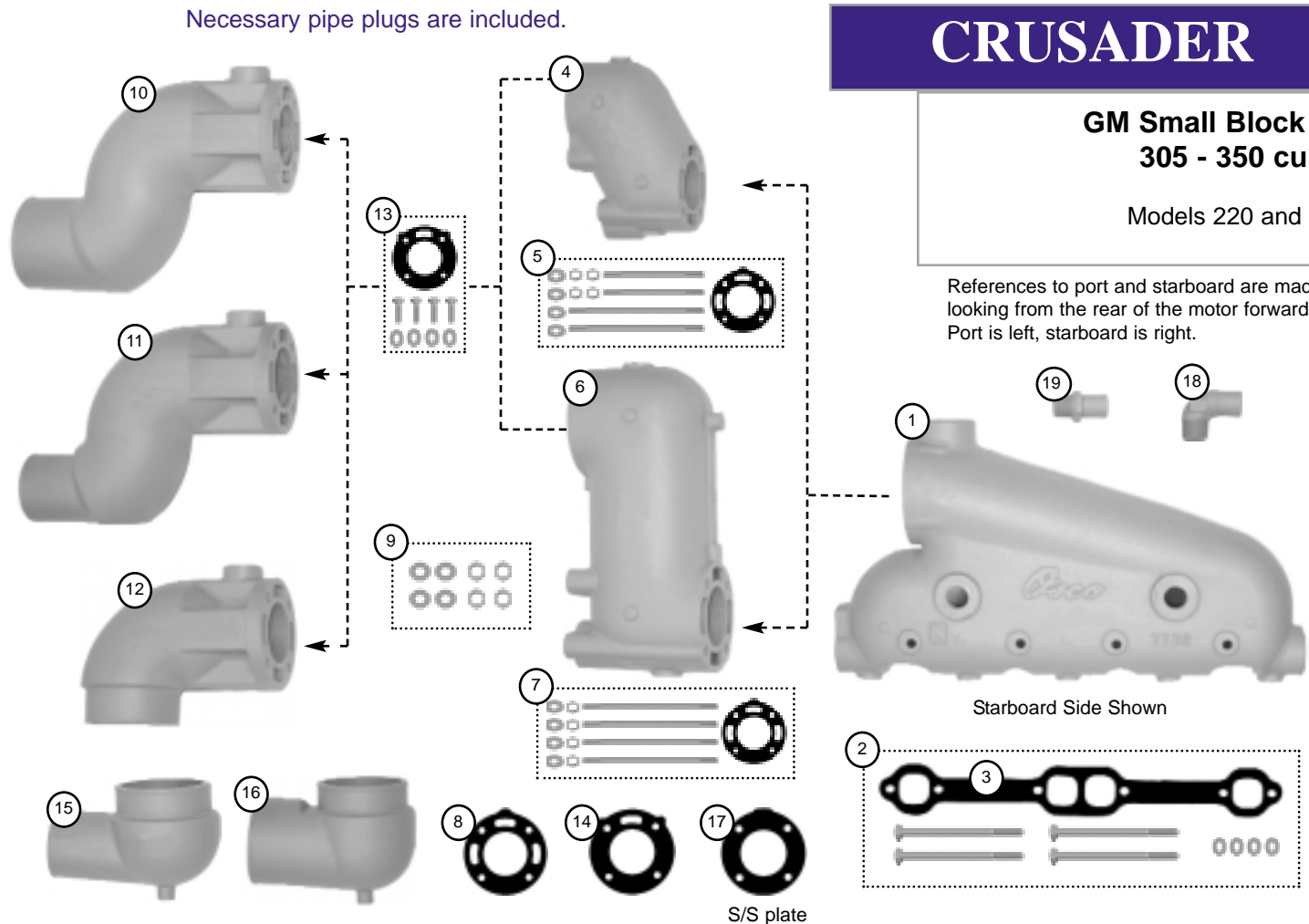


CRUSADER

GM Small Block V8
305 - 350 cu.in.

Models 220 and 270

References to port and starboard are made looking from the rear of the motor forward. Port is left, starboard is right.



Starboard Side Shown

S/S plate

1. **7752** **Manifold, starboard.** Fits 305 - 350 cu.in. GM small block V8 engines. Replaces Crusader # 97752 and 96120*.
1. **7753** **Manifold, port.** Fits 305 - 350 cu.in. GM small block V8 engines. Replaces Crusader #97753 and 96121*.
2. **775-MK** **Mounting Kit, manifold.** Fits 7752 and 7753 manifolds without alternator bracket. Includes CV-GH gasket and mounting hardware.
2. **775-MK-A** **Mounting Kit, manifold.** Fits 7753 manifold with alternator bracket. Includes CV-GH gasket and mtg. hardware.
3. **CV-GH** **Gasket, manifold to cylinder head.** Included in 775-MK and 775-MK-A. Replaces Crusader # 96306.
4. **7772** **Riser, 4".** Replaces Crusader # 97772. Use mounting kit 7772-MK.
5. **7772-MK** **Mounting Kit, riser.** Fits 7772 riser. Includes 6108 gasket and mounting hardware.
6. **7169** **Riser, 8".** Replaces Crusader # 97169. Use mounting kit 7169-MK.
7. **7169-MK** **Mounting Kit, riser.** Fits 7169 riser. Includes 6108 gasket and mounting hardware.
8. **6108** **Gasket, riser, 3 holes for water.** Used at manifold with risers 7772 and 7169. Included in 7169-MK and 7772-MK. Replaces Crusader # 96108. Tech tips page 75 and 79.
9. **NWK** **Nut and Washer Kit.** 4 each sealing washer and locking nuts. Replace after each removal.
10. **7924** **Elbow, 4" outlet.** Replaces Crusader # 97924. Use mounting kit 6562-MK.
11. **8068** **Elbow, 3" outlet.** Replaces Crusader # 98068. Use mounting kit 6562-MK.
12. **7386** **Elbow, jacketed upper for swivel.** Replaces Crusader # 97386. Use mounting kit 6562-MK.
13. **6562-MK** **Mounting Kit, elbow.** Fits 7924, 8068, and 7386. Includes 6562 gasket and mounting hardware.
14. **6562** **Gasket, elbow, 1 hole for water.** Used with elbows 7924, 8068 and 7386. Included in 6562-MK. Replaces Crusader # 96562. Tech tips page 75 and 79.
15. **7387** **Elbow, lower swivel with 3" outlet.** Replaces Crusader # 97387.
16. **7624** **Elbow, lower swivel with 4" outlet.** Replaces Crusader # 97624.
17. **7296** **Stainless Plate, block off.** Separates fresh water from raw water. Requires 1 plate and (2) 6562 or 6108 gaskets per manifold. Replaces Crusader # 97296. Tech tips page 75 and 79.
18. **7854** **Water Fitting, 90° elbow.** 1" MPT x 1/4" hose barb. Replaces Crusader # 97854. (1) required for a raw water cooled manifold and (2) required for a fresh water cooled manifold.
19. **F68CS** **Water Fitting, straight.** 3/4" MPT X 1" hose barb. Replaces Crusader # 97911. For risers / elbows.

*Requires one water fitting 7854 per hose connection.



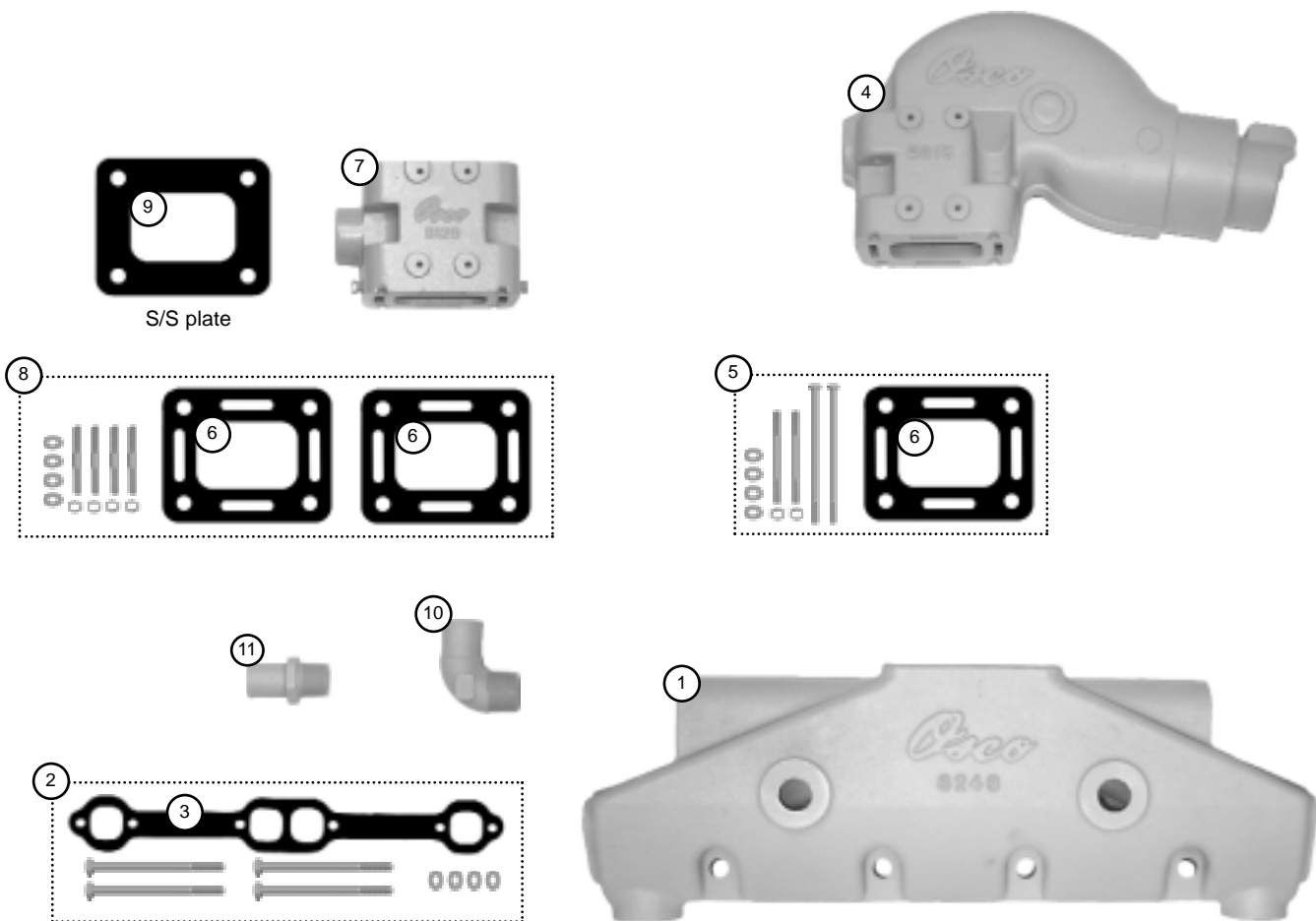
CRUSADER

Necessary pipe plugs are included.

**18 GM Small Block V8
305 - 350 cu.in.**

Models CM305, CM350XL and CM350HT

***Note:** The Crusader low profile riser # 98126 is 6 3/4" high. It is no longer available and is replaced by OSCO 9015 which is 8 1/4" high.



1. **8243** **Manifold.** Fits 305 - 350 cu.in. GM small block V8 engines. Replaces Crusader # 98243.
2. **8243-MK** **Mounting Kit, Manifold.** Fits 8243 manifold. Includes CV-GH gasket and mounting hardware.
3. **CV-GH** **Gasket, manifold to cylinder head.** Included in 8125-MK. Replaces Crusader # 96306.
4. **9015*** **Riser, 4" exhaust outlet, 10° down angle.** Replaces Crusader #'s RO29015 and 98126. **See Note Above*.** Use mounting kit 9015-MK.
5. **9015-MK** **Mounting Kit, riser.** Fits 9015 riser. Includes 9015-G gasket and mounting hardware.
6. **9015-G** **Gasket, riser.** Included in 9015-MK. Replaces Crusader # 98127.
7. **8128** **Spacer, 4".** Replaces Crusader # 98128. Use mounting kit 8128-MK.
8. **8128-MK** **Mounting Kit, spacer.** Mounts the 8128 spacer to the 8243 manifold. Includes (2) 9015-G gaskets and mounting hardware. *The 9015 riser will require its own mounting kit.*
9. **8124** **Stainless Plate, block-off.** Replaces Crusader # 98124. Requires (2) 9015-G gaskets per plate.
10. **7854** **Water Fitting, 90° elbow.** 1" MPT x 1 1/4" hose barb. Replaces Crusader # 97854. (1) required for a raw water cooled manifold and (2) required for a fresh water cooled manifold.
11. **F68CS** **Water Fitting, Straight.** 3/4" MPT x 1" hose barb. Replaces Crusader # 97911. For risers / elbows.



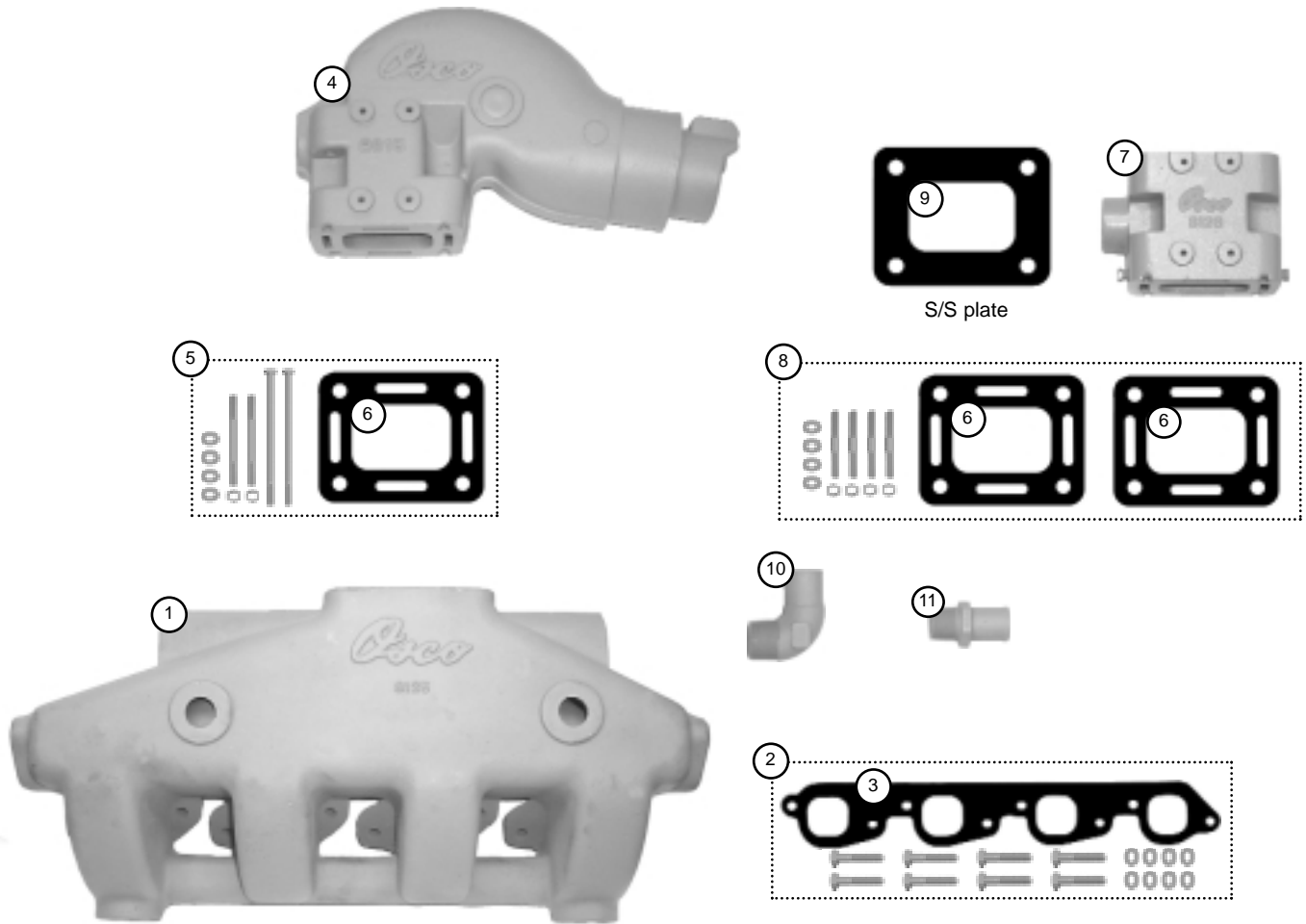
CRUSADER

GM Big Block V8
454 cu.in.

Models 454XL and 502XL

Necessary pipe plugs are included.

***Note:** The Crusader low profile riser # 98126 is 6 3/4" high. It is no longer available and is replaced by OSCO 9015 which is 8 1/4" high.



1. **8125** **Manifold.** Fits 454 - 502 cu.in. GM big block V8 engines. Replaces Crusader # 98125.
2. **8125-MK** **Mounting Kit, Manifold.** Fits 8125 manifold. Includes CW-GH gasket and mounting hardware.
3. **CW-GH** **Gasket, manifold** to cylinder head. Included in 8125-MK. Replaces Crusader # 96653.
4. **9015*** **Riser, 4" exhaust outlet, 10° down angle.** Replaces Crusader #'s RO29015 and 98126. **See Note Above*.** Use mounting kit 9015-MK.
5. **9015-MK** **Mounting Kit, riser.** Fits 9015 riser. Includes 9015-G gasket and mounting hardware.
6. **9015-G** **Gasket, riser.** Included in 9015-MK. Replaces Crusader # 98127.
7. **8128** **Spacer, 4".** Replaces Crusader # 98128. Use mounting kit 8128-MK.
8. **8128-MK** **Mounting Kit, spacer.** Mounts the 8128 spacer to the 8125 manifold. Includes (2) 9015-G gaskets and mounting hardware. *The 9015 riser will require its own mounting kit.*
9. **8124** **Stainless Plate, block-off.** Replaces Crusader # 98124. Requires (2) 9015-G gaskets per plate.
10. **7854** **Water Fitting, 90° elbow.** 1" MPT x 1 1/4" hose barb. Replaces Crusader # 97854. (1) required for a raw water cooled manifold and (2) required for a fresh water cooled manifold.
11. **F68CS** **Water Fitting, Straight.** 3/4" MPT x 1" hose barb. Replaces Crusader # 97911. For risers / elbows.



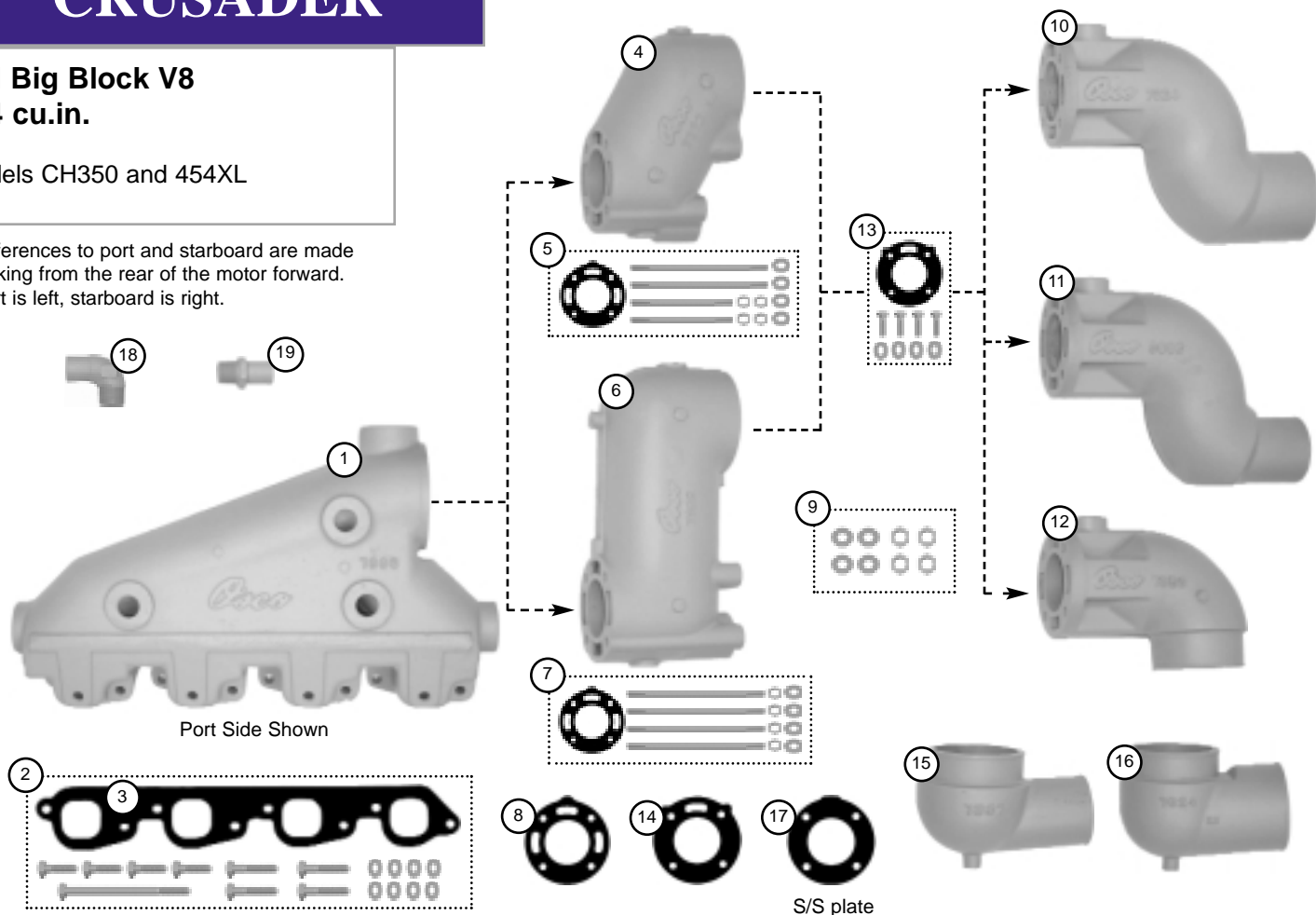
CRUSADER

20 **GM Big Block V8
454 cu.in.**

Models CH350 and 454XL

References to port and starboard are made looking from the rear of the motor forward. Port is left, starboard is right.

Necessary pipe plugs are included.



- 1. **7992** **Manifold, starboard.** Fits 454 cu.in. GM big block V8 engines. Replaces Crusader # 97992 and 97114*.
- 1. **7993** **Manifold, port.** Fits 454 cu.in. GM big block V8 engines. Replaces Crusader #97993 and 97115*.
- 2. **799-MK** **Mounting Kit, manifold.** Fits 7992 / 7993 manifolds. Includes CW-GH gasket and mounting hardware.
- 3. **CW-GH** **Gasket, manifold to cylinder head.** Included in 799-MK. Replaces Crusader # 96653.
- 4. **7772** **Riser, 4".** Replaces Crusader # 97772. Use mounting kit 7772-MK.
- 5. **7772-MK** **Mounting Kit, riser.** Fits 7772 riser. Includes 6108 gasket and mounting hardware.
- 6. **7169** **Riser, 8".** Replaces Crusader # 97169. Use mounting kit 7169-MK.
- 7. **7169-MK** **Mounting Kit, riser.** Fits 7169 riser. Includes 6108 gasket and mounting hardware.
- 8. **6108** **Gasket, riser, 3 holes for water.** Used at manifold with risers 7772 and 7169. Included in 7169-MK and 7772-MK. Replaces Crusader # 96108. Tech tips page 75 and 79.
- 9. **NWK** **Nut and Washer Kit.** 4 each sealing washer and locking nuts. Replace after each removal.
- 10. **7924** **Elbow, 4" outlet.** Replaces Crusader # 97924. Use mounting kit 6562-MK.
- 11. **8068** **Elbow, 3" outlet.** Replaces Crusader # 98068. Use mounting kit 6562-MK.
- 12. **7386** **Elbow, jacketed upper for swivel.** Replaces Crusader # 97386. Use mounting kit 6562-MK.
- 13. **6562-MK** **Mounting Kit, elbow.** Fits 7924, 8068, and 7386. Includes 6562 gasket and mounting hardware.
- 14. **6562** **Gasket, elbow, 1 hole for water.** Used with elbows 7924, 8068 and 7386. Included in 6562-MK. Replaces Crusader # 96562. Tech tips page 75 and 79.
- 15. **7387** **Elbow, lower swivel with 3" outlet.** Replaces Crusader # 97387.
- 16. **7624** **Elbow, lower swivel with 4" outlet.** Replaces Crusader # 97624.
- 17. **7296** **Stainless Plate, block off.** Separates fresh water from raw water. Requires (1) plate and (2) each 6562 or 6108 gaskets per manifold. Replaces Crusader # 97296. Tech tips page 75 and 79.
- 18. **7854** **Water Fitting, 90° elbow.** 1" MPT x 1 1/4" hose barb. Replaces Crusader # 97854. (1) required for a raw water cooled manifold and (2) required for a fresh water cooled manifold.
- 19. **F68CS** **Water Fitting, straight.** 3/4" MPT X 1" hose barb. Replaces Crusader # 97911. For risers / elbows.

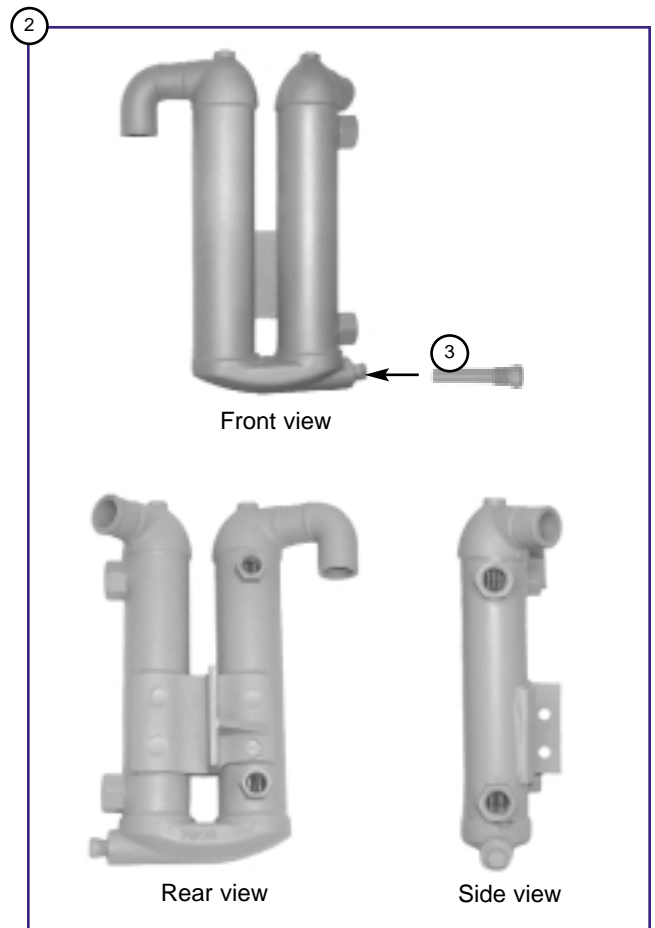
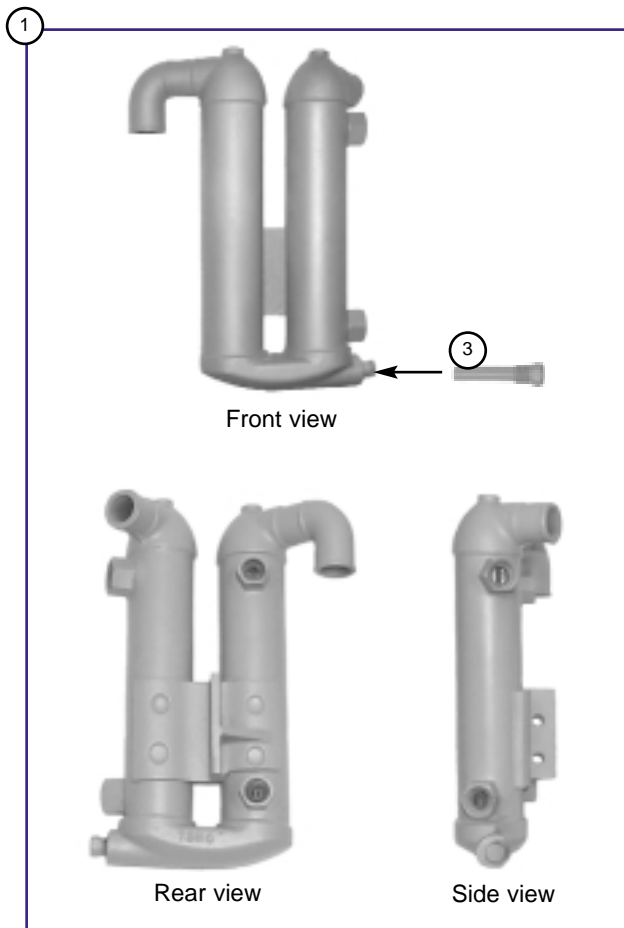
*Requires one water fitting 7854 per hose connection.



CRUSADER

Oil Coolers 21

U-Cooler for both engine and transmission oil.



1. **2209-49 U-Cooler.** Replaces Crusader # 98123 (XL models) with inverted flare oil hose fittings. Engineered for use with standard Velvet Drive and 5000 series Warner transmissions.
2. **2209-89 U-Cooler.** Replaces Crusader # 97878 with pipe thread oil hose fittings. Engineered for use with standard Velvet Drive and 5000 series Warner transmissions.
3. **2209-ZP Zinc Pencil.** Included with the 2209 series U-coolers.

